

Note: It is the customer's (or customer's representative's) responsibility to check the compatibility between the cover opening and the conveyor idlers. RPS Engineering, Inc. can not be held responsible for errors that would lead to water on the belt or interference problems.

This print or drawing is the property of R.P.S. Engineering, Inc. and is confidential or proprietary information. It is not to be copied, reproduced, used or disclosed, in whole or part, unless in reference to contracts or proposals of this company. Nothing disclosed herein which is not publicly available may be used without written permission.

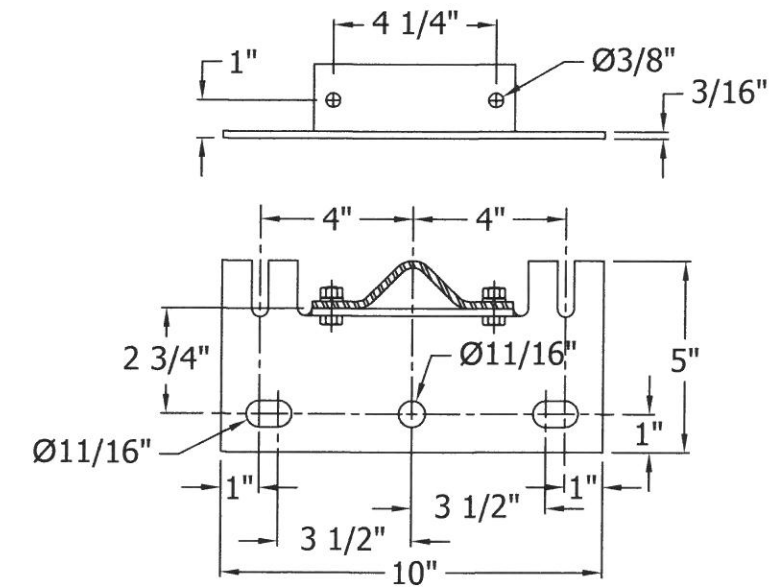
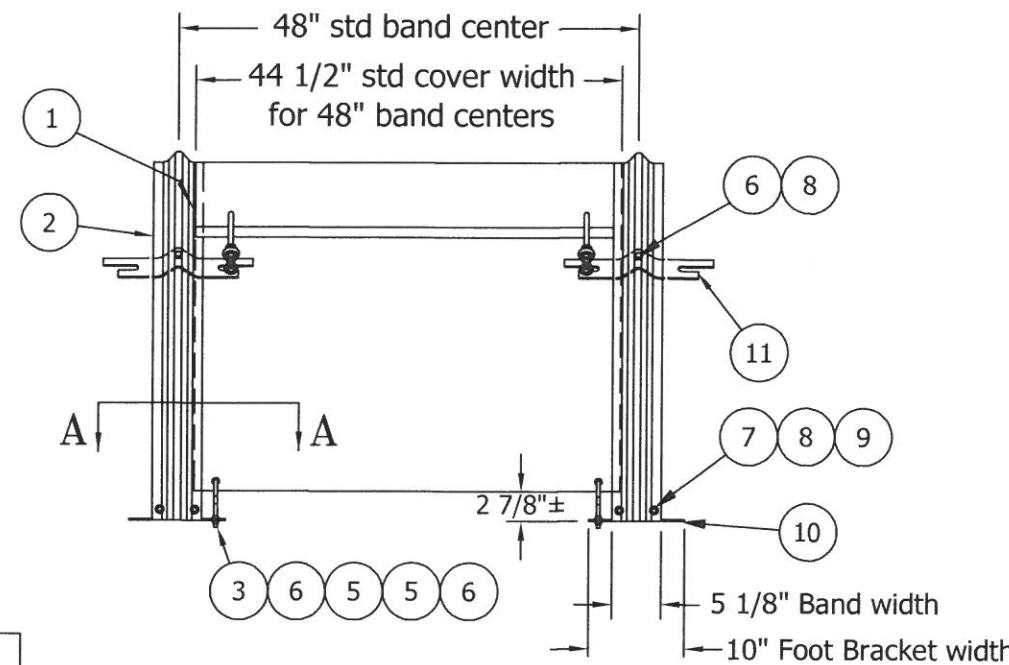
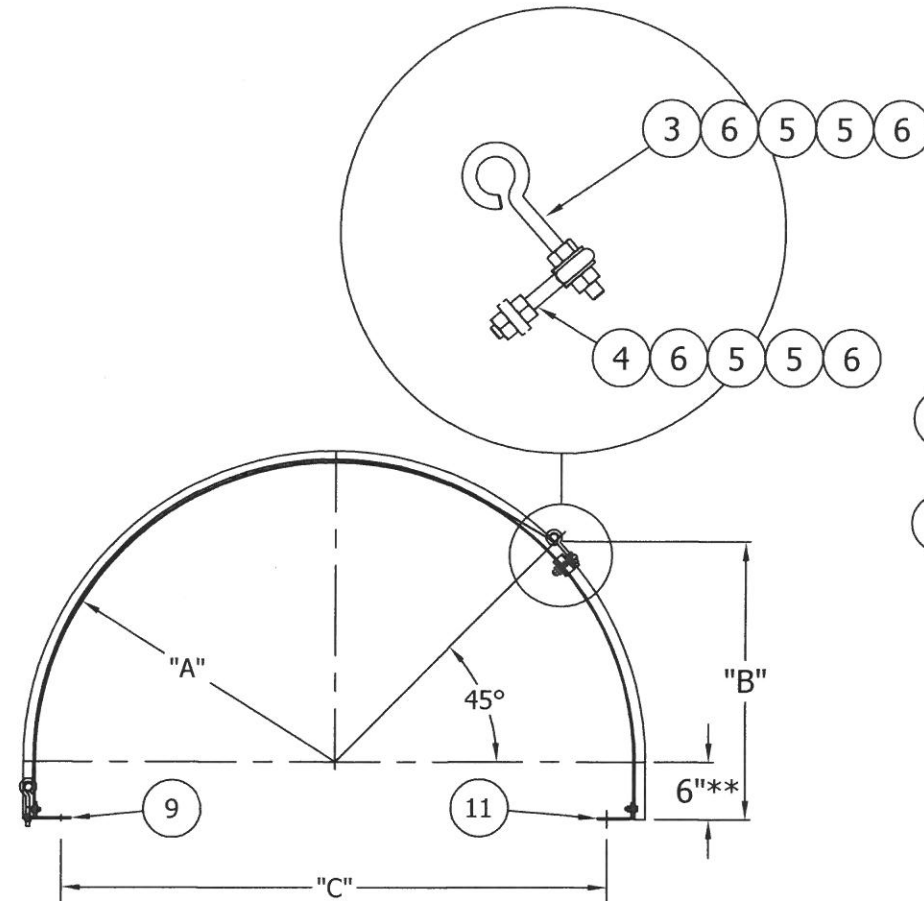
Hardware to mount foot brackets to conveyor is normally provided by other, but is available as an option.

MA1-CH75-SERIES 3/4 SMOOTH COVERS

(All Dimensions are standard. Other options for band spacing, cover sizes are available upon request)

Item	Part Number	Description	Per Cover	Per Band
1	MA1-CH7548GC40	Cover, Full Smooth		
2	MA1-CH48GB	Support Band		
3	MA1-38-5EB-ZN BO	Eye bolt, 3/8"-16 x 5", Bent Open	4	
4	MA1-38-3.25EB-G BC	Eye bolt, 3/8"-16 x 3 1/4", Bent Closed short	2	
5	38FW-ZN	Flat washer, 3/8"	12	
6	38HN-ZN	Hex Nut, 3/8"-16	12	
7	516-1HHB-ZN	Bolt, Hex Head, 5/16"-18 x 1"		5
8	516LW-ZN	Lock Washer, 5/16"		4
9	516HN-ZN	Hex Nut, 5/16-18		5
10	MA1-FB-HDG A1A60	Foot bracket, 3/16" Hot Dip Galv		2
11	MA1-RB-HDG	Retaining/Inspection bar, 3/16" Hot Dip Galv		1

Note: All hardware is zinc plated. Wing Nuts for Eyebolts can be supplied for an additional cost.



Section A-A
Item 10 FOOT BRACKET DETAIL
Cover & Eyebolt not shown

SPECIFICATIONS

ASSEMBLY NO.	BELT WIDTH	"A"	"B"	"C"	WT in LBS
MA1-CH7518GA40	18"	16-1/4"	17-1/2"	27"	42
MA1-CH7520GA40	20"	17-1/4"	18-1/4"	29"	44
MA1-CH7524GA40	24"	19-1/4"	19-5/8"	33"	47
MA1-CH7530GA40	30"	22-1/4"	20-3/4"	39"	52
MA1-CH7536GA40	36"	25-1/4"	25-1/2"	45"	55
MA1-CH7542GA40	42"	28-1/4"	28"	51"	67
MA1-CH7548GA40	48"	31-1/4"	28-3/4"	57"	72
MA1-CH7554GA40	54"	34-1/4"	29-1/4"	63"	78
MA1-CH7560GA40	60"	37-1/4"	29-5/8"	69"	84
MA1-CH7572GA40	72"	43-1/4"	37-1/4"	81"	93

** 6" is standard tangent, other available upon request.

Material:

Standard covers are 22 ga G90 galvanized steel. Bands are G90, 12 ga for belt widths less than 42", 10 ga for belt widths 42" and up. Aluminum, Stainless Steel and Powder-coated are available.

DESIGN NOTE

Standard MA1-CH75 Series Covers are designed for conveyor frames with outside dimensions of belt width +12". Eye bolts may hit conveyor structure when top chords are "T" or "W" structural shapes. This should be verified before ordering. Special brackets are available for the rear leg of the bands for these circumstances.

RPS Engineering, Inc. reserves the right to alter designs of its conveyor cover without notice unless certified drawings are supplied.



Engineering Inc.

1300 CRISPIN DRIVE
ELGIN, IL 60123
(800) 931-1950
FAX (847) 931-4274

Email: coversales@rpsengineering.com
www.rpsengineering.com