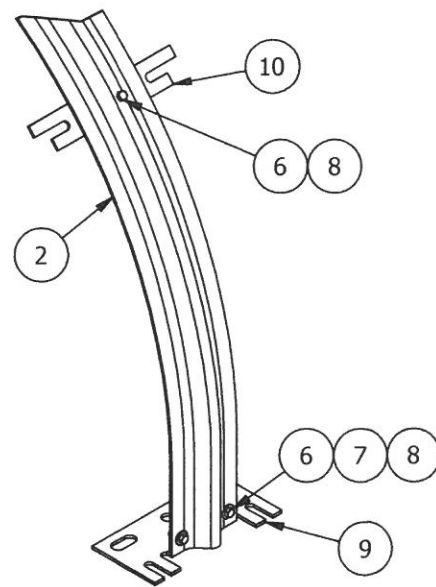
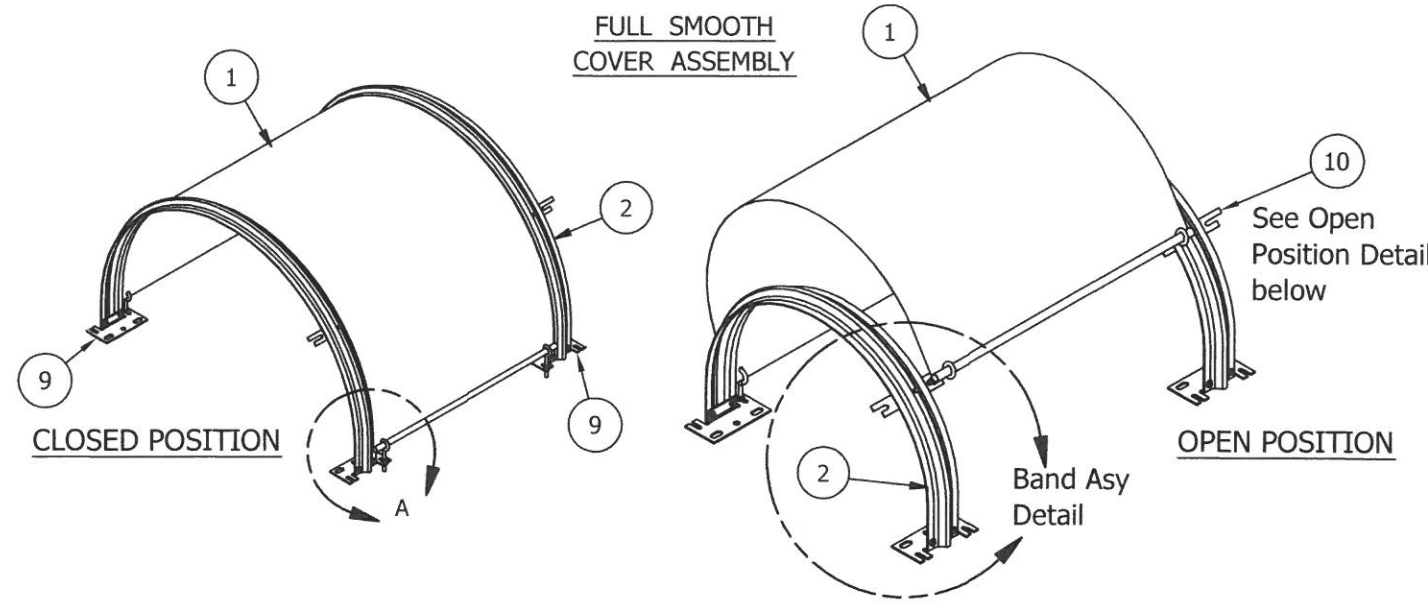


STANDARD INSTALLATION PROCEDURE

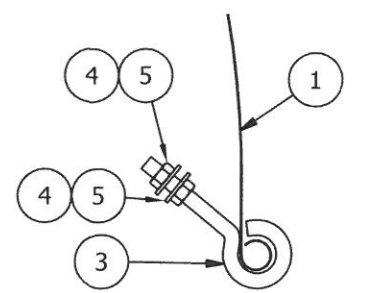
MA1-CH75-SERIES 3/4 SMOOTH COVERS

Item	Part Number	Description	Per Cover	Per Band
1	MA1-CH**GC40	Cover, Full Smooth	0	
2	MA1-CH**GB	Support Band		0
3	MA1-38-5EB-ZN BO	Eye bolt, 3/8"-16 x 5", Bent Open	4	
4	38FW-ZN	Flat washer, 3/8"	8	
5	38HN-ZN	Hex Nut, 3/8"-16	8	
6	516HHB-ZN	Bolt, Hex Head, 5/16"-18 x 1"		5
7	516FW-ZN	Flat Washer, 5/16"		4
8	516HN-ZN	Hex Nut, 5/16-18		5
9	MA1-FB-HDG A1A60	Foot bracket, 3/16" Hot Dip Galv		2
10	MA1-RB-HDG	Retaining/Inspection bar, 3/16" Hot Dip Galv		1

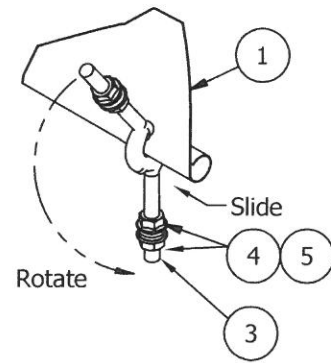
Note: All standard hardware is grade 2, zinc plated. Hot dipped galvanized and stainless steel are options. Wingnuts for eyebolts can be supplied for additional cost.



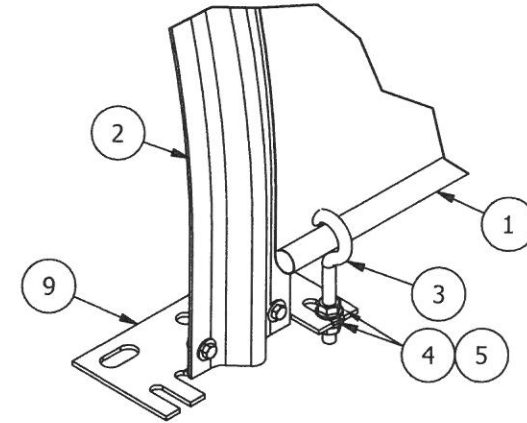
BAND ASSEMBLY
Cover not shown for clarity



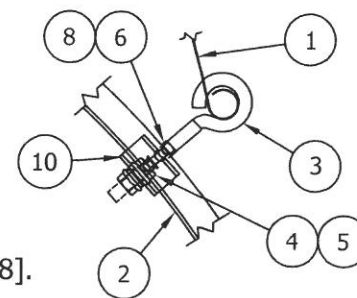
EYEBOLT INSTALLATION
Step 1
Slip eyebolt loop over cover end roll.



EYEBOLT INSTALLATION
Step 2
Slide eyebolt down to hole and then rotate into position.



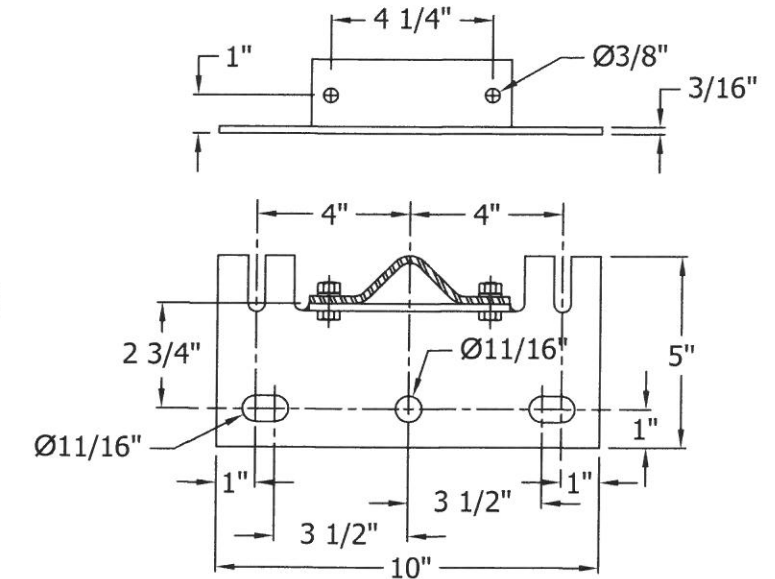
DETAIL A
COVER ATTACHMENT



Open Position
Detail

OPEN POSITION

Note: To move covers to Open Position, loosen (do not remove) lower nuts of front eyebolts. Then prop the eyebolts into the retaining brackets.



Section A-A

Item 10 FOOT BRACKET DETAIL
Cover & Eyebolt not shown

INSTALLATION PROCEDURE

1. Bolt foot brackets [9] & retaining bar [10] to inside of support band [2] with 5/16" hardware [6-8].
2. Locate support band on conveyor frame at desired spacing.
3. Drill 11/16" dia. holes on centers in conveyor frame to match foot brackets. Foot bracket slots are 11/16" x 1-3/16" to allow for minor adjustments.
4. Bolt bands to conveyor with retaining bar on desired side. This 5/8" hardware is normally not furnished by RPS.
5. Position cover [1] over support bands, and attach to foot brackets with 3/8" eyebolts [3-5]. See Eyebolt Installation Details and Cover Attachment Detail.
6. Make sure bands are perpendicular to conveyor support. Tighten all hardware.



Engineering Inc.

1300 CRISPIN DRIVE
ELGIN, IL 60123
(800) 931-1950
FAX (847) 931-4274

Email: coversales@rpsengineering.com
www.rpsengineering.com

This print or drawing is the property of R.P.S. Engineering, Inc. and is confidential or proprietary information. It is not to be copied, reproduced, used or disclosed, in whole or part, unless in reference to contracts or proposals of this company. Nothing disclosed herein which is not publicly available may be used without written permission.